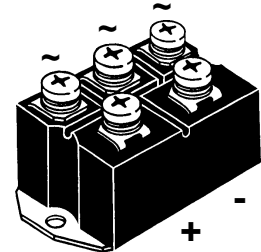
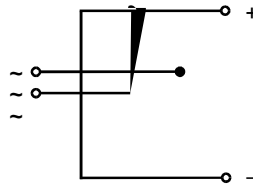


Three Phase Rectifier Bridge

I_{dAV} = 63/88 A
V_{RRM} = 800-1800 V

V _{RSM} V	V _{RRM} V	Type
600	600	VUO 62-06NO7 VUO 82-06NO7
800	800	VUO 62-08NO7 VUO 82-08NO7
1200	1200	VUO 62-12NO7 VUO 82-12NO7
1400	1400	VUO 62-14NO7 VUO 82-14NO7
1600	1600	VUO 62-16NO7 VUO 82-16NO7
1800	1800	VUO 62-18NO7* VUO 82-18NO7*



* delivery time on request

Symbol	Test Conditions	Maximum Ratings			
		VUO 62	VUO 82		
I _{dAV}	T _C = 110°C, module	63	88	A	
I _{dAV}	T _A = 45°C (R _{thCA} = 0.6 K/W), module	48	57	A	
I _{FSM}	T _{VJ} = 45°C; V _R = 0	t = 10 ms (50 Hz), sine	550	750	A
		t = 8.3 ms (60 Hz), sine	600	820	A
I ² t	T _{VJ} = T _{VJM} ; V _R = 0	t = 10 ms (50 Hz), sine	500	670	A
		t = 8.3 ms (60 Hz), sine	550	740	A
I ² t	T _{VJ} = 45°C; V _R = 0	t = 10 ms (50 Hz), sine	1520	2800	A ² s
		t = 8.3 ms (60 Hz), sine	1520	2800	A ² s
I ² t	T _{VJ} = T _{VJM} ; V _R = 0	t = 10 ms (50 Hz), sine	1250	2250	A ² s
		t = 8.3 ms (60 Hz), sine	1250	2250	A ² s
T _{VJ}		-40...+150		°C	
T _{VJM}		150		°C	
T _{stg}		-40...+125		°C	
V _{ISOL}	50/60 Hz, RMS; t = 1 min		2500	V~	
	I _{ISOL} ≤ 1 mA; t = 1 s		3000	V~	
M _d	Mounting torque (M5)	5 ± 15 %		Nm	
	Terminal connection torque (M5)	5 ± 15 %		Nm	
Weight	typ.		160	g	

Features

- Package with screw terminals
- Isolation voltage 3000 V~
- Planar passivated chips
- Blocking voltage up to 1800 V
- Low forward voltage drop
- t□ 72873

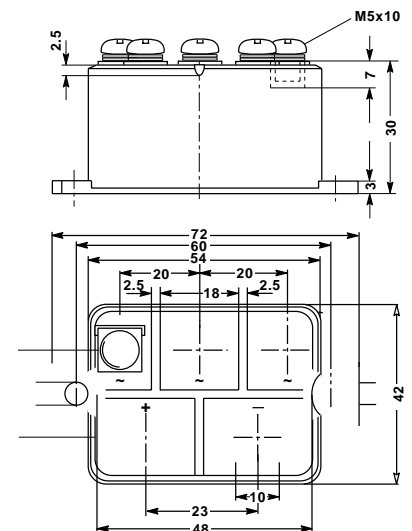
Applications

- Supplies for DC power equipment
- Input rectifiers for PWM inverter
- Battery DC power supplies
- Field supply for DC motors

Advantages

- Easy to mount with two screws
- Space and weight savings
- Improved temperature and power cycling

Dimensions in mm (1 mm = 0.0394")



Symbol	Test Conditions	Characteristic Values		
		VUO 62	VUO 82	
I _R	V _R = V _{RRM} ; T _{VJ} = 25°C	≤ 0.3	0.3	mA
	V _R = V _{RRM} ; T _{VJ} = T _{VJM}	≤ 5	5	mA
V _F	I _F = 150 A; T _{VJ} = 25°C	≤ 1.8	1.6	V
V _{T0}	For power-loss calculations only	0.8	0.8	V
r _T		8	5	mΩ
R _{thJC}	per diode	1.45	1.1	K/W
	per module	0.24	0.183	K/W
R _{thJH}	per diode	1.87	1.52	K/W
	per module	0.31	0.253	K/W
d _s	Creeping distance on surface		10	mm
d _A	Creepage distance in air		9.4	mm
a	Max. allowable acceleration		50	m/s ²

Data according to IEC 60747 and refer to a single diode unless otherwise stated. IXYS reserves the right to change limits, test conditions and dimensions.