

SPP11N80C3	P-TO220-3-1	Q6704
SPA11N80C3	P-TO220-3-31	Q6704

Source  
pin 3

technolo

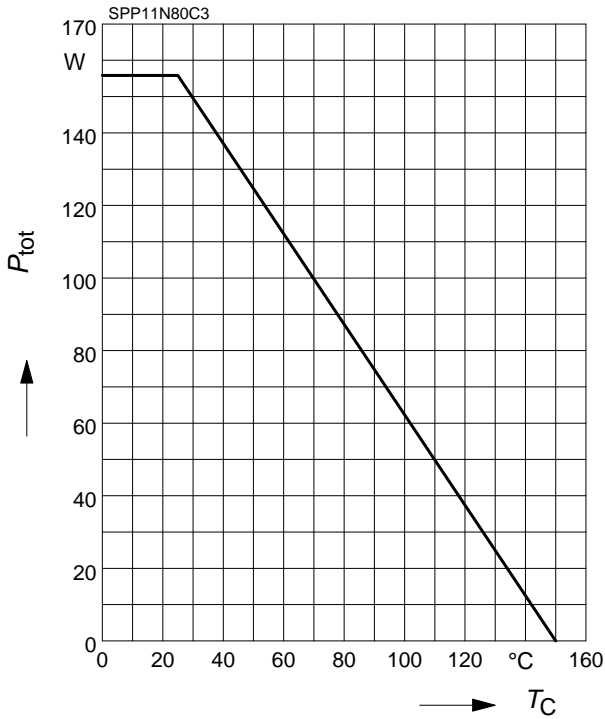
technologies

---

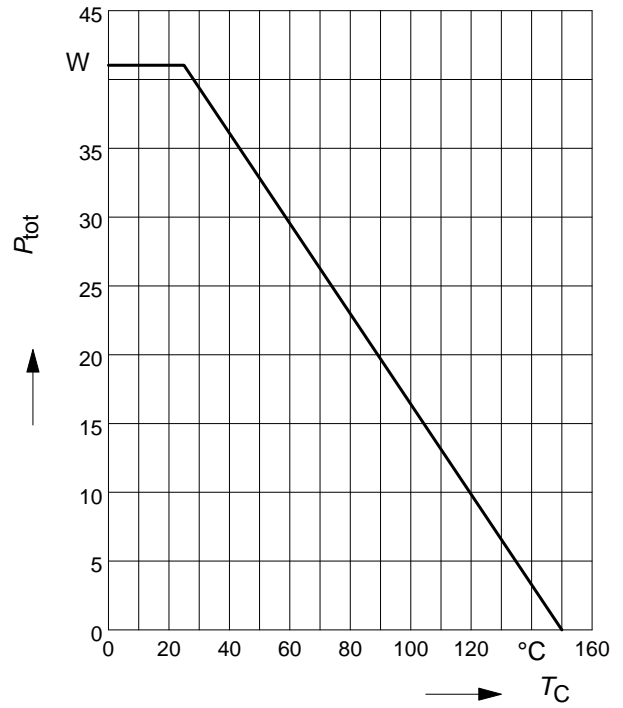
technologies

---

$$P_{tot} = f(T_C)$$

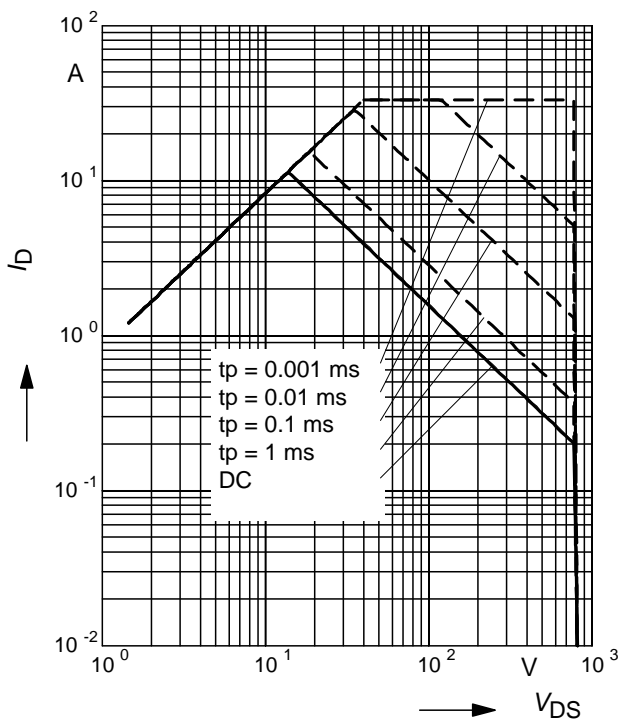


$$P_{tot} = f(T_C)$$



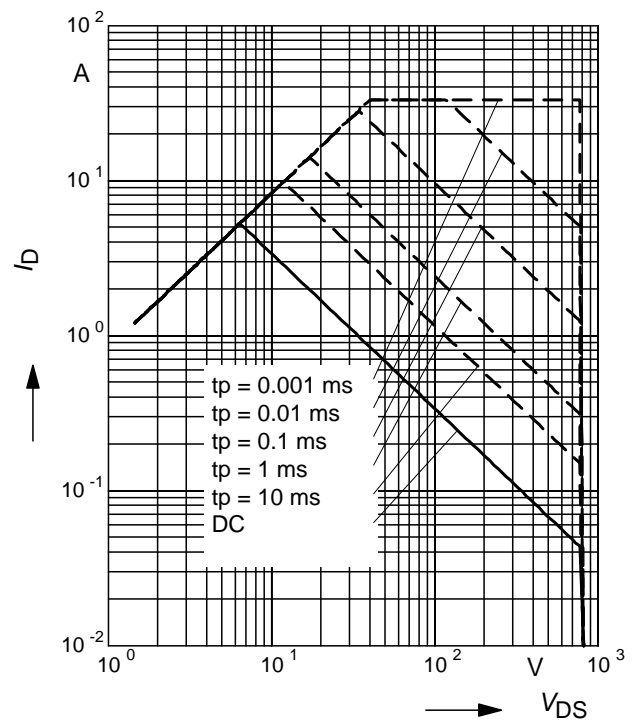
$$I_D = f(V_{DS})$$

parameter :  $D = 0$  ,  $T_C = 25^\circ\text{C}$



$$I_D = f(V_{DS})$$

parameter:  $D = 0$  ,  $T_C = 25^\circ\text{C}$



technologies

---

technologies

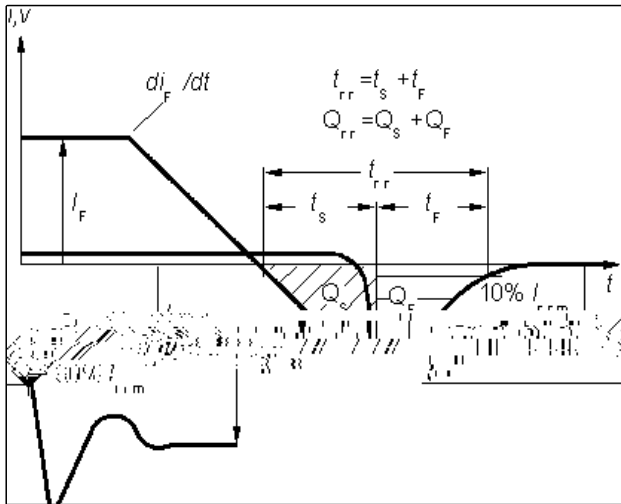




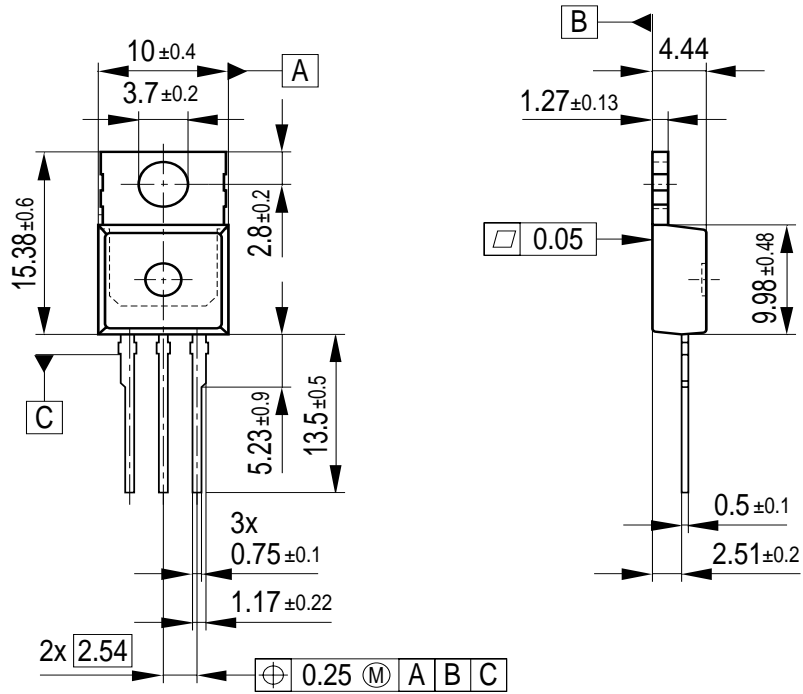
technologies

---

Definition of diodes switching characteristics

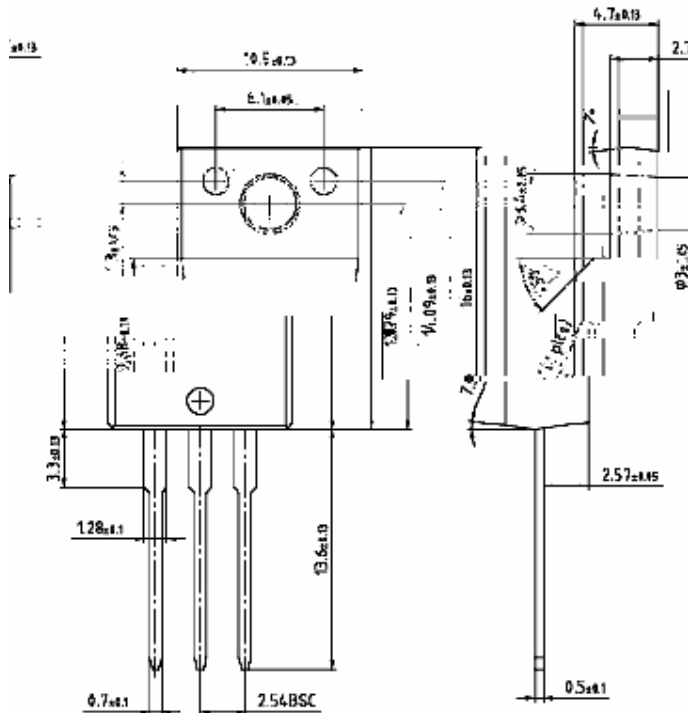


P-TO-220-3-1



All metal surfaces tin plated, except area of cut.  
Metal surface min.  $x=7.25$ ,  $y=12.3$

P-TO-220-3-31 (FullPAK)



Please refer to mounting instructions (application note AN-TO220-3-31-01)

