

7HFKQLVFKH , QIRUPDWLRQ

7HFKQLFDO , QIRUPDWLRQ

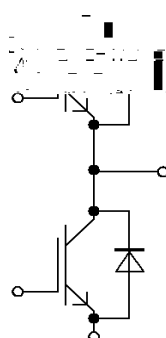


, *%7 0RGXOH
, *%7 PRGXOHV

)) 5 57

PP 0RGXO PLW VFKQHOHP 7UHQFK)HOGVWRSS , *%7 XQG (PLWWHU
PP PRGXOH ZLWK IDVW 7UHQFK)LHOGVWRS , *%7 DQG (PLWWHU & R

9RUOIXILJH 'DWHQ 3UHOLPLQDU\ 'DWD



7\$&4 7
\$ OPN " \$3.* "

7\SLVFKH \$QZHGXQJHQ
‡\$QZHGXQJHQ PLW KRKHQ 6FKDOW
‡0RWRUDQWULHEH
‡869 6\VWHPH

7\SLFDO \$SSOLFDWLRQV
‡0RWRU 'ULYHV
‡836 6\VWHPV

(OHNWULVFKH (LJHQVFKDIWHQ
‡(UZHLWHUWH 6SHUUVFKLFWWHPSHUDWXUH
‡1LHGULJH 6FKDOWYHUOXVWH
‡1LHGULJH 9
‡7_{YM} RS f &
‡9_{&VDW} PLW SRVLWLYHP 7HPSHUDWXUH

(OHFWULFDO)HDWXUHV
‡UDWHQG 2SHUDWLRQ 7HPSHUD
‡/RZ 6ZLWFKLQJ /RVVHV
‡/RZ 9_{&VDW}
‡7_{YM} RS f &
‡9_{&VDW} PLW SRVLWLYHP 7HPSHUDW

0HFKDQLVFKH (LJHQVFKDIWHQ
‡,VROLHUWH %RGHQSODWWH
‡6WDQGDUGJHKIXVH

0HFKDQLFDO)HDWXUHV
‡,VRODWHG %DVH 3ODWH
‡6WDQGDUG +RXVLQJ

0RGXOH /DEHO &RGH

%DUFGRH &R



'0; &RGH



&RQWHQW RI WKH &RGH
0RGXOH 6HULDO 1XPEHU
0RGXOH 0DWHULDO 1XPEHU
3URGXFWLRQ 2UGHU 1XPEHU
'DWHFRGH 3URGXFWLRQ <H DU
'DWHFRGH 3URGXFWLRQ :HNN

SUHSUHG E\ 0.	GDWH RI SXEOLFDWLRQ	
DSSURYHG E\ :5	UHYLVLRQ	

7HFKQLVFKH , QIRUPDWLRQ

7HFKQLVFKH , QIRUPDWLRQ

, *%7 0RGXOH
, *%7 PRGXOHV

)) 5 57



9RUOIXILJH 'DW
3UHOLPLQDU\ 'D

, *%7 :HFKVHOULFKWHU , *%7 , QYHUWHU
+ |FKVW]XOIVVLJH :HUWH 0D[LPXP 5DWHG 9DOXH

.ROOHNWRU (PLWWHU 6SHUUVSDQQXQJ &ROOHFWRU HPLWWHU YROWDJH	7\$&4		7
.ROOHNWRU 'DXHUJOHLFKVWURP &RQWLQXR XV '& FROOHFWRU FXUUHQW	* OPN		"
3HULRGLVFKHU .ROOHNWRU 6SLW]HQVWURP 5HSHWLWLYH SHDN FROOHFWRU FXUUHQW	*3.		"
*HVDPW 9HUOXVWOHLVWXQJ 7RWDO SRZHU GLVVLSDWLRQ	1UPU		8
*DWH (PLWWHU 6SLW]HQVSDQQXQJ *DWH HPLWWHU SHDN YROWDJH	7(&4		7

&KDUDNWHULVWLVFKH :HUWH &KDUDFWHULVWLVFKH 9DOXH VZQNB

.ROOHNWRU (PLWWHU 6IWLJXQJVSDQQXQJ &ROOHFWRU HPLWWHU VDWXUDWLRQ YROWDJH	5WK +\$ 5WK +\$ 5WK +\$	7\$& TBU		7 7 7
*DWH 6FKZHOHQVSDQQXQJ *DWH WKHUVKROG YROWDJH	N" \$& 7 & 5K +\$	7(&UI		7
*DWHODGXQJ *DWH FKDUJH	7(& 7 7	2(<\$
, QWHUQHU *DWHZLGHUVWURP , QWHUQDO JDWH UHVLVWRU	DQG +\$ 5WK	3(JOU		W
(LQJDQJVNDSD]LWV , QSXW FSDFLWDQFH	G .) [WK5 +\$ \$&7 7 (&7 7	\$JFT		O'
5•FNZLUNXQJVNDSD]LWV 5HYHUVH WUDQVIHU FSDFLWDQFH	G .) [WK5 +\$ \$&7 7 (&7 7	\$SFT		O'
.ROOHNWRU (PLWWHU 5HVWVWURP &ROOHFWRU HPLWWHU FXW\$ RII FXUUHQW	7(&7 7 WK5 +\$	*\$&4		N"
*DWH (PLWWHU 5HVWVWURP *DWH HPLWWHU OHDNDJH FXUUHQW	7(&7 7 WK5 +\$	(*&4		O"
(LQVFKDOWYHU]]JHUXQJV]HLW LQG XNWL YH /DVW 7XUQ RQ GHOD\ WLPH LQG XFWLYH ORDG	5WK +\$ 5WK +\$ 5WK +\$ 3(PO W	U PO		<T <T <T
\$QVWLHV]]HLW LQG XNWL YH /DVW 5LVH WLPH LQG XFWLYH ORDG	5WK +\$ 5WK +\$ 5WK +\$ 3(PO W	U		<T <T <T
\$EVFKDOWYHU]]JHUXQJV]]HLW LQG XNWL YH /DVW 7XUQ RII GHOD\ WLPH LQG XFWLYH ORDG	5WK +\$ 5WK +\$ 5WK +\$ 3(PGG W	U PGG		<T <T <T
)DOO]HLW LQG XNWL YH /DVW)DOO WLPH LQG XFWLYH ORDG	5WK +\$ 5WK +\$ 5WK +\$ 3(PGG W	U		<T <T <T
(LQVFKDOWYHUOXVWHQHUI]HLW SUR\$ 3XOV 74 - O) 7XUQ RQ HQUJ\ ORVV SHU]SXQVH7 EV EU	5WK +\$ 5WK +\$ 5WK +\$ 3(PO W	8PO		N+ N+ N+
\$EVFKDOWYHUOXVWHQHUI]HLW SUR\$ 3XOV 74 - O) 7XUQ RII HQUJ\ ORVV SHU]SXQVH7 EV EU	5WK +\$ 5WK +\$ 5WK +\$ 3(PGG W	8PGG		N+ N+ N+
.XU]VFKOX%YHUKDOWHQ 6& GDWD	7(&£ 7 \$&7 7 7\$&NB 7&4 T\$& •EJ EU U£ <T5WK +\$	*4\$		"
:IUPHZLGHUVWDQG &KLS ELV *HKIXVH SHU *%7 7KHUPDO UHVLVWDQFH MXQFWLRQ WR FDVH	3UI+\$, 8
:IUPHZLGHUVWDQG *HKIXVH SHU *%7 7KHUPDO UHVLVWDQFH FDUWWR: KFDWLRQNH : P .	3UI\$)			, 8
7HPSHUDWXU LP 6FKDOWEHWULHE 7HPSHUDWXUH XQGHU VZLWFKLQJ FRQGLWLRQV	5WK PQ			+\$

SUHSUHG E\ 0.	GDWH RI SXEOLFDWLRQ
DSSURYHG E\ :5	UHYLVLHQ

7HFKQLVFKH , QIRUPDWLRQ

7HFKQLVFKH , QIRUPDWLRQ

, *%7 0RGXOH
, *%7 PRGXOHV

)) 5 57



9RUOIXILJH 'DW
3UHOLPLQDU\ 'D

'LRGH :HFKVHOULFKWHU 'LRGH ,QYHUWHU
+|FKVW]XOIVVLJH :HUWH 0D[LPXP 5DWHG 9DOXH

3HULRGLVFKH 6SLW]HQQVSHUUVSDQQXQJ 5HSHWLWLYH SHDN UHYHUVH YRQWDJH	7 ₃₃ .		7
'DXHUJOHLFKVWURP &RQWLQXRXV '& IRUZDUG FXUUHQW	*		"
3HULRGLVFKHU 6SLW]HQQVSHUUVSDQQXQJ 5HSHWLWLYH SHDN IRUZDUG FXUUHQW	* ₃ .		"
*UHQ]ODVWLQWHJUDO , ðW YDOXH	7 ₃ 7 ₁ U NT _{WK} 5 †\$ 7 ₃ 7 ₁ U NT _{WK} 5 †\$	* ^ U	" ^ T " ^ T

&KDUDNWHULVWLVFKH :HUWH &KDUDFWHULVWLF 9DOXH

SUHSUHG E\ 0.	GDWH RI SXEOLFDWLRQ
DSSURYHG E\ :5	UHVLVLRQ

7HFKQLVFKH , QIRUPDWLRQ

7HFKQLVFKH , QIRUPDWLRQ

, *%7 0RGXOH
, *%7 PRGXOHV

)) 5 57



9RUOIXILJH 'DW
3UHOLPLQDU\ 'D

0RGXO 0RGXOH

,VRODWLRQV 3U•IVSDQQXQJ ,VRODWLRQ WHVW YROWDJH	JH 4 G) [U NJO	7.40-		L7
0DWHULDO 0RGXOJUXQGS 0DWHULDO RI PRGXOH EDVHSODWH			\$V	
,QQHUH ,VRODWLRQ ,QWHUQDO LVRODWLRQ	%DVLVLVROLHUXQJ 6FKXW]NODVVH EDVLF LQVXODWLRQ FODVV ,(&	(1	"M0	
.ULHFKVWUHFNH &UHSJDJH GLVWDQFH	.RQWDNW .KONJUSHU WHUPLQDO WR .RQWDNW .RQWDNW WHUPLQDO WR			NN
/XIWVWUHFNH &OHDUDQFH	.RQWDNW .KONJUSHU WHUPLQDO WR .RQWDNW .RQWDNW WHUPLQDO WR			NN
9HUJOHLFKV]DKO GHU .UL &RPSHUDWLYH WUDFNQJ	HFKZHJELGXQJ LQGH[\$5*		
NJO UZQNB				
:IUPHZLGHUVWDQG *HKIX 7KHUPDO UHVLVWDQFH F	SHURLOVGRKON]SSUUPRGXOH DyhwWR: KHDWVLQN: P .	3U(\$)		, 8
0RGXOVWUHXLQGXNWLYLW 6WUD\ LQGXFWDQFH PRGXOH		-T&		O)
0RGXOOHLWXQJVZLGHUVWDQG &KLS 0RGXOH OHDG UHVLVWDQFH	DQG \$QVFKO•VVH 7& f& SUR 6FKDOWHU SHU VZLWFK& FH WHUPLQDOV FKLS			NW
/DJHUWHPHUDWXU 6WRUDJH WHPHUDWXUH		5TUH		†\$
\$Q]XJVGUHKPRPHQW I 0RGXOH 0RXQWLQJ WRUTXH IRU PRGXOH	6FKDOWHU 0RQWDJH JHP J•O GRXQWLQJ DFFRUGLQJ WR YDOLG DSSOLF			N
\$Q]XJVGUHKPRPHQW I HOHFWUR 7HUPLQDO FRQQHFWRQ WRUTXH	6FKDOWHU 0RQWDJH JHP J•O GRXQWLQJ DFFRUGLQJ WR YDOLG DSSOLF			N
*HZLFKW :HLJKW		(H

1PXFS \$ZDMJOH ;VWFSM°TTJHLFJU CFJ 5WKPKQ †\$
 FOUTQSJDIU HOMUJHFS 4QF[JGJLBUJPO GOS 4UBOEBSSE .PEVMF CFJ 5WKNBY †\$
 1PXFS \$ZDMJOH \$BQBCJMJUZ BU 5WKPKQ †\$
 BDDPSEJOH UP WBMJE TQFDJGJDBUJPO GPS TUBOEBSSE NPEVMFT BU 5WKNBY †\$

SUHSUDHG E\ 0.	GDWH RI SXEOLFDWLRQ
DSSURYHG E\ :5	UHVLVLRQ

7HFKQLVFKH , QIRUPDWLRQ

7HFKQLVFKH , QIRUPDWLRQ

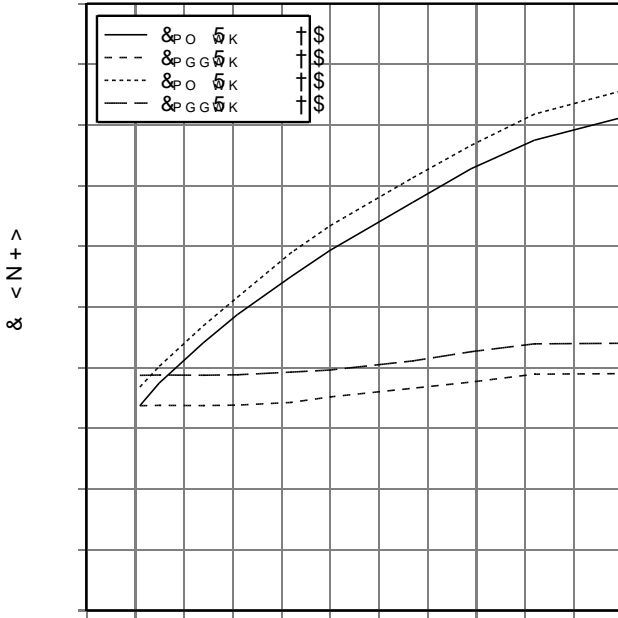
, *%7 0RGXOH
, *%7 PRGXOHW

)) 5 57

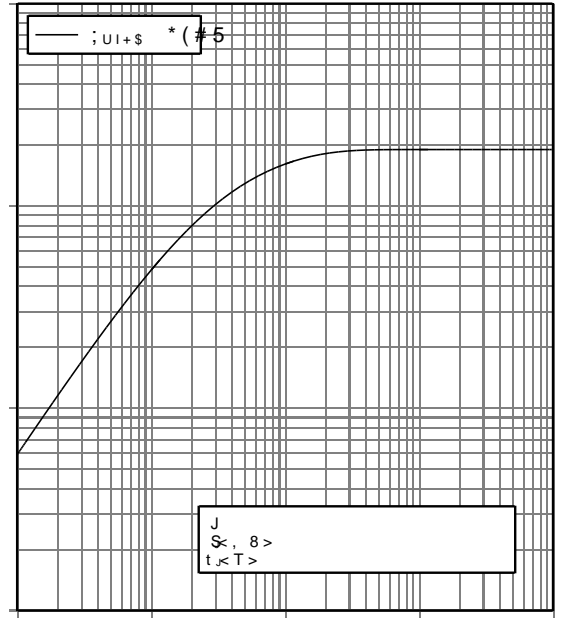


9RUOIXILJH 'DW
3UHOLPLQDU\ 'D

6FKDOWYHUOXVWH , *%7 :HFKVHOULFKWHU :IUPHZLGHUVWDQG , *%7 :HFKV
VZLWFKLQJ ORVVHV , *%7 ,QYHUWHU WLSWUHQVWLHQQW WKHUPDO LPSHGDQFH , *%7 ,QYH
(RQ 1.5 (11 1.5 =WK-& I W
9(" 9& , \$ &(9 9



3(W>



U <T>

6LFKHUHU 5•FNZIUVV \$UEHLWVEHUHLFK , *%7 :HFKVHOULFKWHU
5%62\$
UHYHUVH ELDV VDIH RSHUDWLQJ DUHD , *%7 ,QYHUWHU 5%62\$
& , I &9 I 9 W 7M f &
9(" 9•R5 W 7M f &

^
v
&

7<7>

SUHSUHG E\ 0.	GDWH RI SXEOLFDWLRQ
DSSURYHG E\ :5	UHVLVLRQ

UH : QY R (: agg : *%7 : HFKVHOULFKWHU

7HFKQLVFKH , QIRUPDWLRQ

7HFKQLVFKH , QIRUPDWLRQ

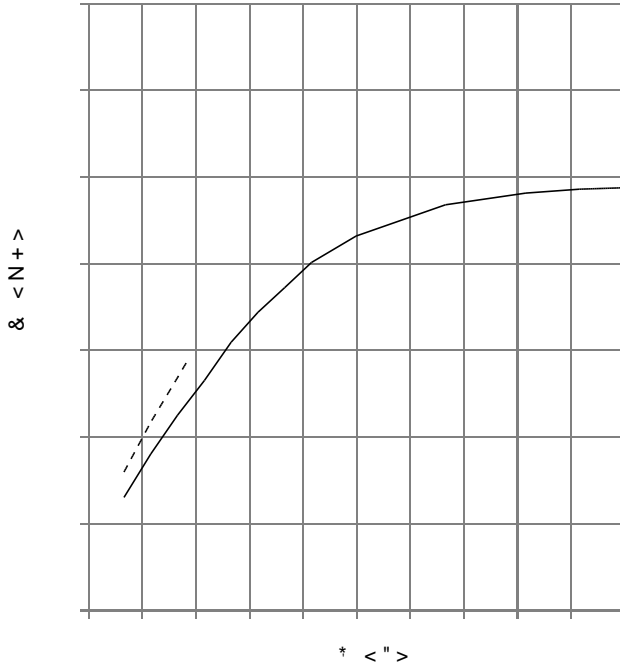
, *%7 0RGXOH
, *%7 PRGXOHV

)) 5 57



9RUOIXILJH 'DW
3UHOLPLQDU\ 'D

6FKDOWYHUOXVWH 'LRGH :HFKVHOUFLKWHU W\SLVFK
VZLWFKLQJ ORVVHV 'LRGH ,QYHUWHU W\SLFDO
(UHF I) ,
5-RQ W 9(9



SUHSDUHG E\ 0.	GDWH RI SXEOLFDWLRQ
DSSURYHG E\ :5	UHYLVLRQ

7HFKQLVFKH , QIRUPDWLRQ

7HFKQLFDO , QIRU

, *%7 0RGXOH
, *%7 PRGXOHV

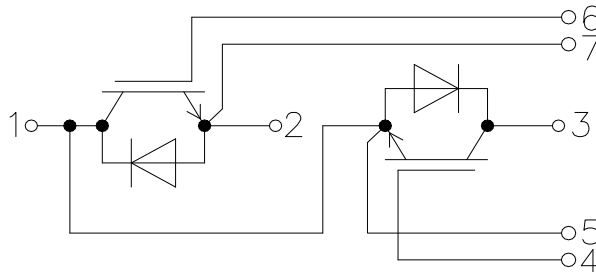
)) 5 57



6FKDOWSODQ

FLUFXLWBGLDJUDPBKHDGOLQH

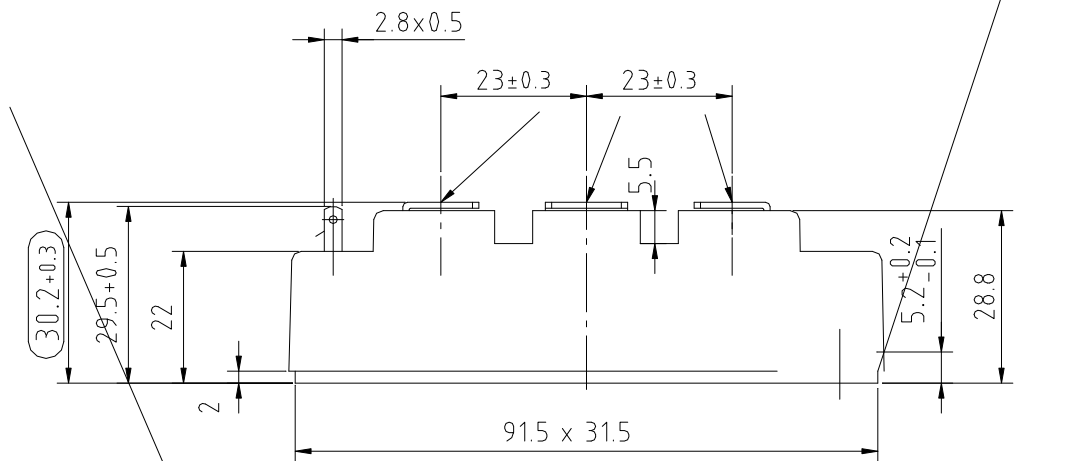
9RUOIXILJH 'DW
3UHOLPLQDU\ 'D



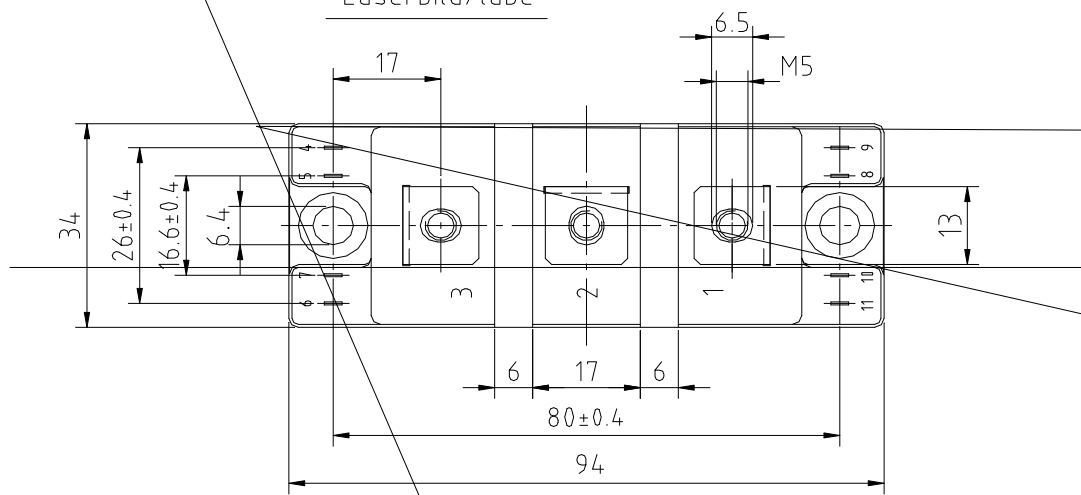
*HKIXVHDEPHVVXQJHQ SDFNDJH RXWOLQHV

Einstecktiefe max. 7mm/
plug in depth max. 7mm

max. Einschraubtiefe 10mm/
max. immersion depth 10mm



Laserbild/label



Pruefmass/Control dimension

SUHSDUHG E\ 0.
DSSURYHG E\ :5

GDWH RI SXEOLFDWLRQ
UHLYVLRQ

7HFKQLVFKH , QIRUPDWLRQ

7HFKQLFDO , QIRU

, *%7 ORGXOH
, *%7 PRGXOHV

)) 5 57



9RUOIXILJH 'DW
3UHOLPLQDU\ 'D

1XW]XQJVEHGLQJXQJHQ

'LH LQ GLHVHP 3URGXNWGDWHQEODWW HQWKDOWHQHQ 'DWHQ VLQG DXVVFOLH%OLF
GHU (LJQXQJ GLHVHV 3URGXNWHV I•U ,KUH \$QZHGXQJ VRZLH GLH %HXUWHLOXQJ GHU
\$QZHGXQJ REOLHJW ,KQH E]Z ,KUHQ WHFKQLVFKHQ \$EWHLOXQJHQ

,Q GLHVHP 3URGXNWGDWHQEODWW ZHUGHQ GLHMHQLJHQ 0HUNPDOH EHVFKULHEHQ I•
VROFKH *HZIKUOHLVWXQJ ULFKWHW VLFK DXVVFOLH%OLF QDFK 0D%JDEH GHU LP MH
MHJOLFKHU \$UW ZHUGHQ I•U GDV 3URGXNW XQG GHVVHQ (LJHQVFKDIWHQ NHLQHVIDOO
0RQWDJHKLQZHLVHQ GHV 0RGXOV VLQG]X EHDFKWHQ

6ROOWHQ 6LH YRQ XQV 3URGXNWLQIRUPDWLRQHQ EHQ]WLJHQ GLH •EHU GHQ ,QKDW
VSH]LILVFKH 9HUZHGXQJ XQG GHQ (LQVDW] GLHVHV 3URGXNWHV EHWUHIIHQ VHW]HQ
9HUELQGXQJ VLHKK ZZZ LQILQHRQ FRP 9HUWULHE .RQWDNW)•U ,QWHUHVHQQWHQ K

\$XIJUXQG GHU WHFKQLVFKHQ \$QIRUGHUXQJHQ N]QQWH XQVHU 3URGXNW JHVXQGHKHLW
GLHVHP 3URGXNW MHZHOV HQWKDOWHQHQ 6XEVDQ]HQ VHW]HQ 6LH VLFK ELWWH HE

6ROOWHQ 6LH EHDEVLFKWLJHQ GDV 3URGXNW LQ \$QZHGXQJHQ GHU /XIWDKUW LQ J
\$QZHGXQJVEHUHLFKHQ HLQ]XVHW]HQ ELWWHQ ZLU XP 0LWWHLOXQJ :LU ZHLVHQ GD
GLH JPHLQVDPH 'XUFKI•KUXQJ HLQHV 5LVNR XQG 4XDOLWIVDVVHVPHQW
GHQ \$EVFKOXVV YRQ VSH]LHOHQ 4XDOLWIVVLFKHUXQJVVYHUHLQEDUXQJHQ
GLH JPHLQVDPH (LQI•KUXQJ YRQ 0D%QDKPHQ]X HLQHU ODXHQGHQ 3URGXNWEHRED
JHJHEHQQIDOOV GLH %HOLHIHUXQJ YRQ GHU 8PVHW]XQJ VROFKHU 0D%QDKPHQ DEK

6RZHLW HUIRUGHUOLFK ELWWHQ ZLU 6LH HQWVSUHFKHQGH +LQZHLVH DQ ,KUH .XQGH
,QKDWOLFKH bQGHUXQJHQ GLHVHV 3URGXNWGDWHQEODWWV EOHLEHQ YRUEHKDOWH

7HUPV &RQGLWLRQV RI XVDJH

7KH GDWD FRQWDLQHG LQ WKLV SURGXFW GDWD VKHHW LV H]FOXVLYHO\ LQWHQGHG I
KDYH WR HYDOXDWH WKH VXLWDELOLW\ RI WKH SURGXFW IRU WKH LQWHQGHG DSSOLF
DSSOLFDWLRQ

7KLV SURGXFW GDWD VKHHW LV GHVFULELQJ WKH FKDUDFWHULVWLFV RI WKLV SURGX
H]FOXVLYHO\ SXUVXDQW WKH WHUPV DQG FRQGLWLRQV RI WKH VXSSO\ DJUHHPHQW 7
FKDUDFWHULVWLFV 7KH LQIRUPDWLRQ LQ WKH YDOLG DSSOLFDWLRQ DQG DVVHPEO\

6KRXOG \RX UHTXLUH SURGXFW LQIRUPDWLRQ LQ H]FHVV RI WKH GDWD JLYHQ LQ WK
RXU SURGXFW SOHDVH FRQWDFW WKH VDOHV RIILFH ZKLFK LV UHVSQVLEOH IRU \RX
LQWHUHVWHG ZH PD\ SURYLGH DSSOLFDWLRQ QRWHV

'XH WR WHFKQLFDO UHTXLUHPHQWV RXU SURGXFW PD\ FRQWDLQ GDQJHURXV VXEVDQ
VDOHV RIILFH ZKLFK LV UHVSQVLEOH IRU \RX

6KRXOG \RX LQWHQGHG WR XVH WKH SURGXFW LQ DYLDWLRQ DSSOLFDWLRQV LQ KHDOW
QRWH WKDW IRU DQ\ VXFK DSSOLFDWLRQV ZH XUJHQWO\ UHFRPPHQG

WR SHUIRUP MRLQW 5LVN DQG 4XDOLW\ \$VVHVPHQWV

WKH FRQFOXVLRQ RI 4XDOLW\ \$JUHHPHQWV

WR HVWDEOLVK MRLQW PHDVXUHV RI DQ RQJRLQJ SURGXFW VXUYH\ DQG WKDW ZH P

WKH UHDO]DWLRQ RI DQ\ VXFK PHDVXUHV

,I DQG WR WKH H]WHQW QHFHVVDU\ SOHDVH IRUZDUG HTXLYDOHQW QRWLFHV WR \RX

&KDQJHV RI WKLV SURGXFW GDWD VKHHW DUH UHVHUYHG

SUHSUHG E\ 0.	GDWH RI SXEOLFDWLRQ
DSSURYHG E\ :5	UHYLVLRQ

Mouser Electronics

Authorized Distributor

Click to View Pricing, Inventory, Delivery & Lifecycle Information:

[Infineon:](#)

[FF150R12RT4](#)