

DIODE MODULE (F.R.D.)

FRS400BA50/60

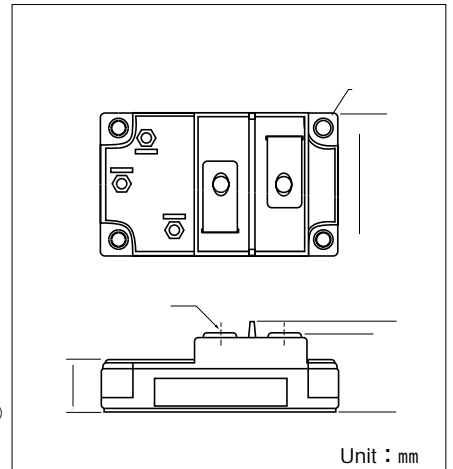
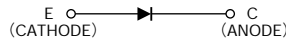
UL;E76102(M)

FRS400BA is a high speed (fast recovery) isolated diode module designed for high power switching application. FRS400BA is suitable for high frequency application requiring low loss and high speed control.

- High Speed $t_{rr} \leq 200\text{ns}$
- $I_{F(AV)}$ 400A
- Isolated Mounting base.
- High Surge Capability

(Applications)

Inverter Welding Power Supply
 Power Supply for Telecommunication
 Various Switching Power Supply.



Maximum Ratings

($T_j = 25^\circ\text{C}$ unless otherwise specified)

Symbol	Item	Ratings		Unit
		FRS400BA50	FRS400BA60	
V_{RRM}	Repetitive Peak Reverse Voltage	500	600	V
$V_{R(DC)}$	D.C. Reverse Voltage	400	480	V

Symbol	Item	Conditions	Ratings	Unit
$I_{F(AV)}$	Forward Current	D.C. $T_c : 94^\circ\text{C}$	400	A
I_{FMS}	Surge Forward Current	$\frac{1}{2}$ cycle, 60Hz, peak value, non-repetitive	4000	A
		Recommended Value 2.5-3.9 (25-40)	4.7 (48)	N·m
	T (M6)	Recommended Value 2.5-3.9 (25-40)	4.7 (48)	(kgf·)
	Mass	Typical Value	460	g

Electrical Characteristics

Symbol	Item	Conditions	Ratings			Unit
			Min.	Typ.	Max.	
I_{RRM}	Repetitive Peak Reverse Current	$V_R = V_{RRM}, T_j = 125^\circ\text{C}$			400	mA
V_{FM}	Forward Voltage Drop	$I_F = 400\text{A}$, Inst. measurement		1.3	1.4	V
t_{rr}	Reverse Recovery Time	$I_F = 400\text{A}$, $-di/dt = 400\text{A}/\mu\text{s}$		130	200	ns
$R_{th(j-c)}$	Thermal Impedance	Junction to case			0.1	$^\circ\text{C/W}$

